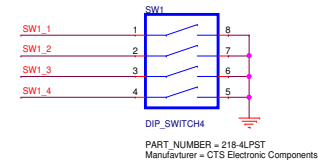
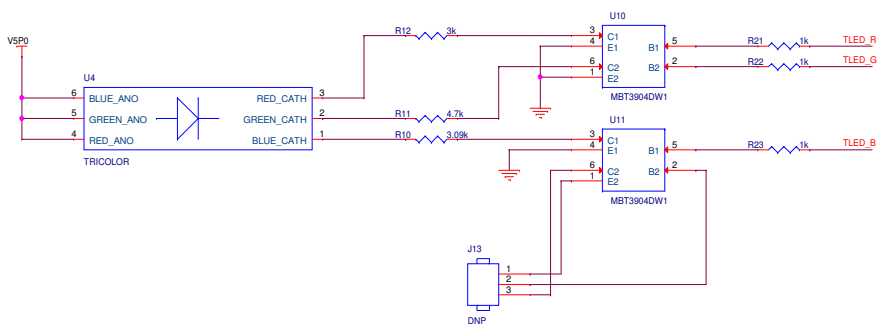
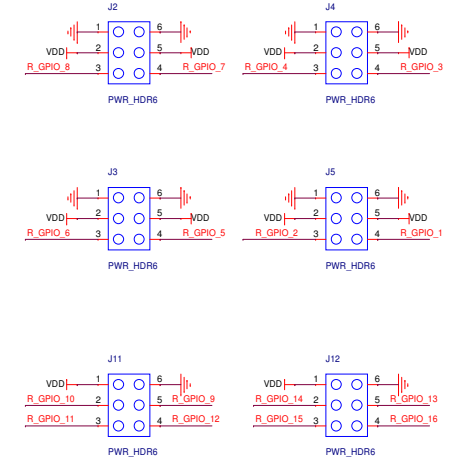
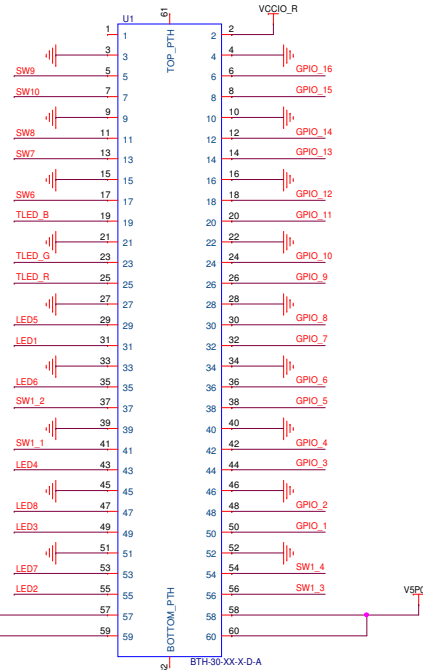
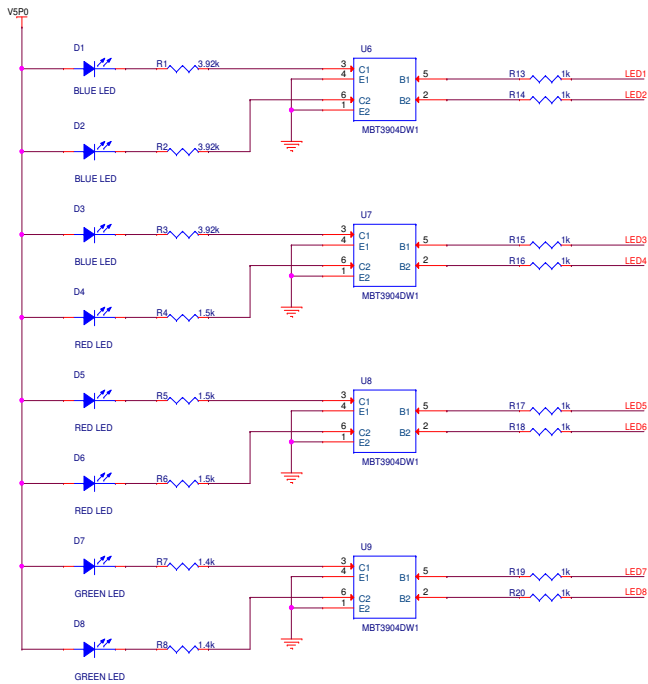
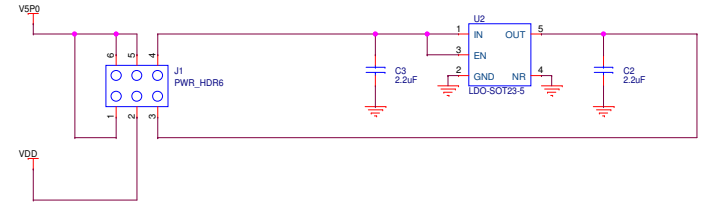
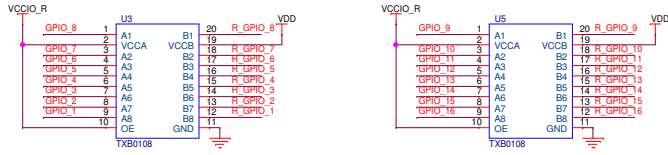
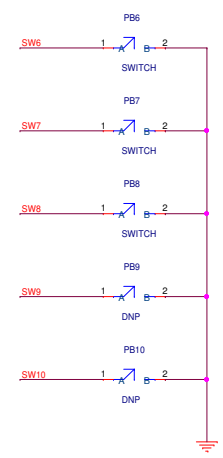


XB-100



Pushbutton Layout:

PB7	PB9
PB8	PB6
PB10	



Title		Nuand	
Size	C	Document Number	XB-100
Date:	Saturday, January 16, 2016	Sheet	1 of 1