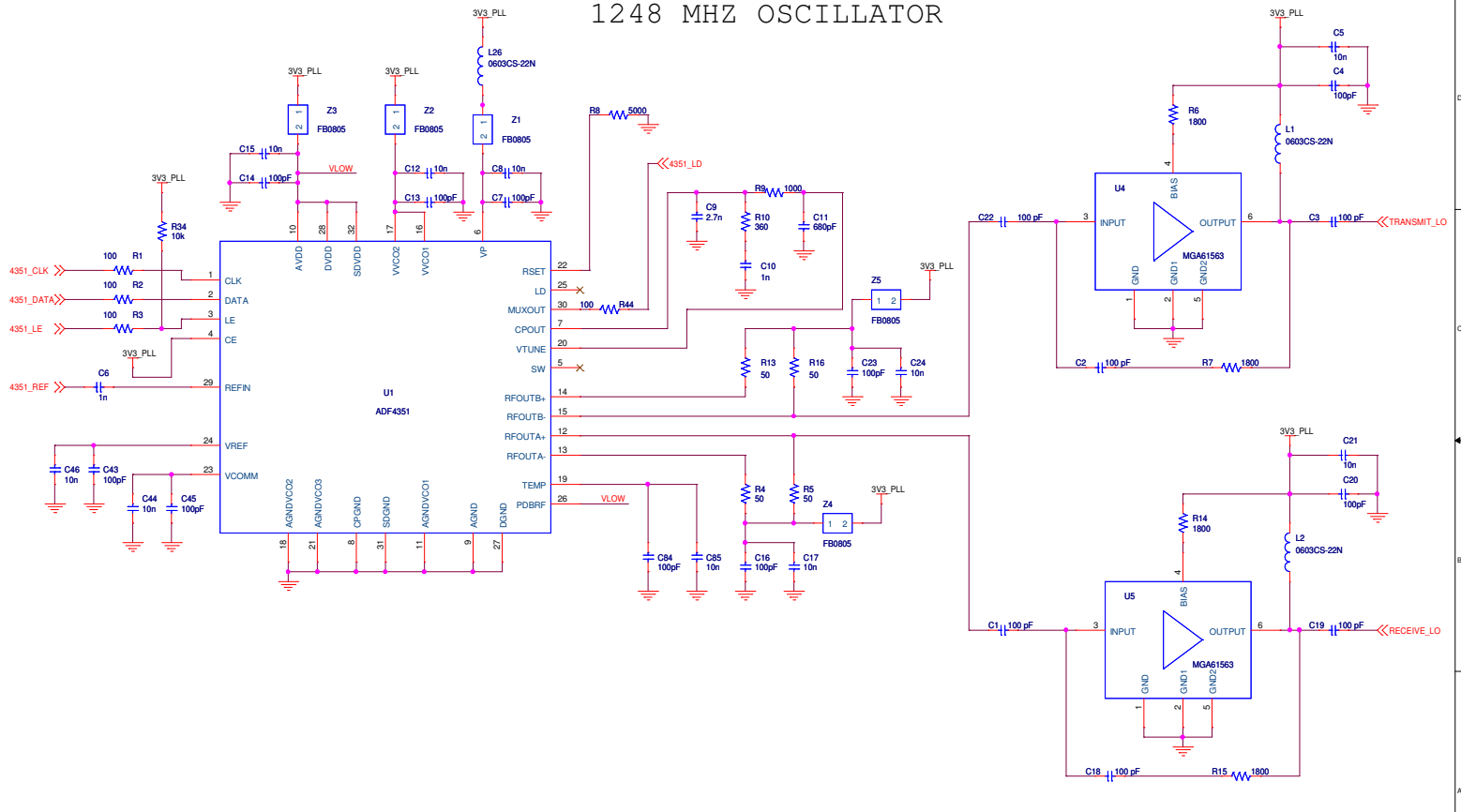
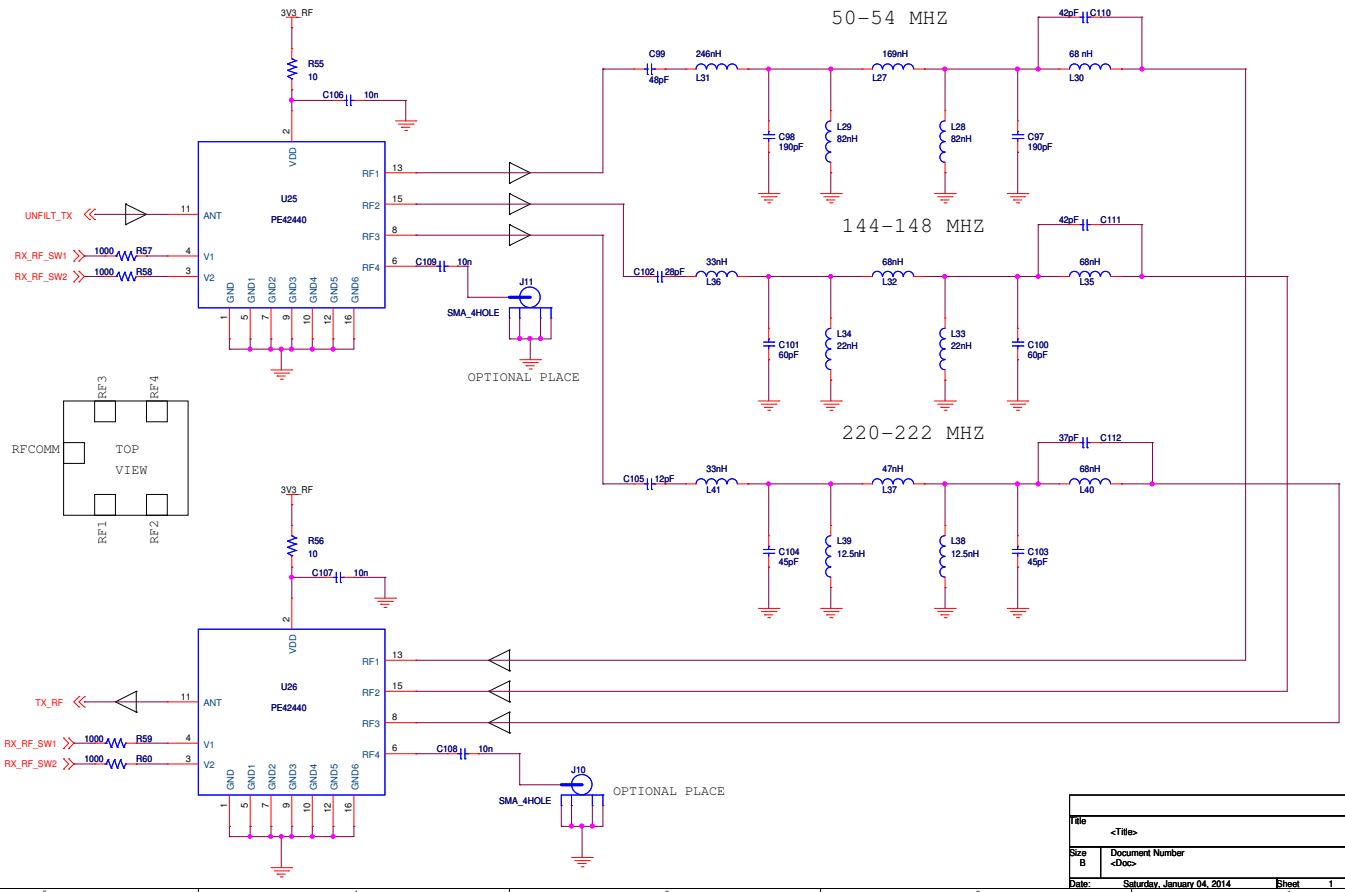


# 1248 MHZ OSCILLATOR



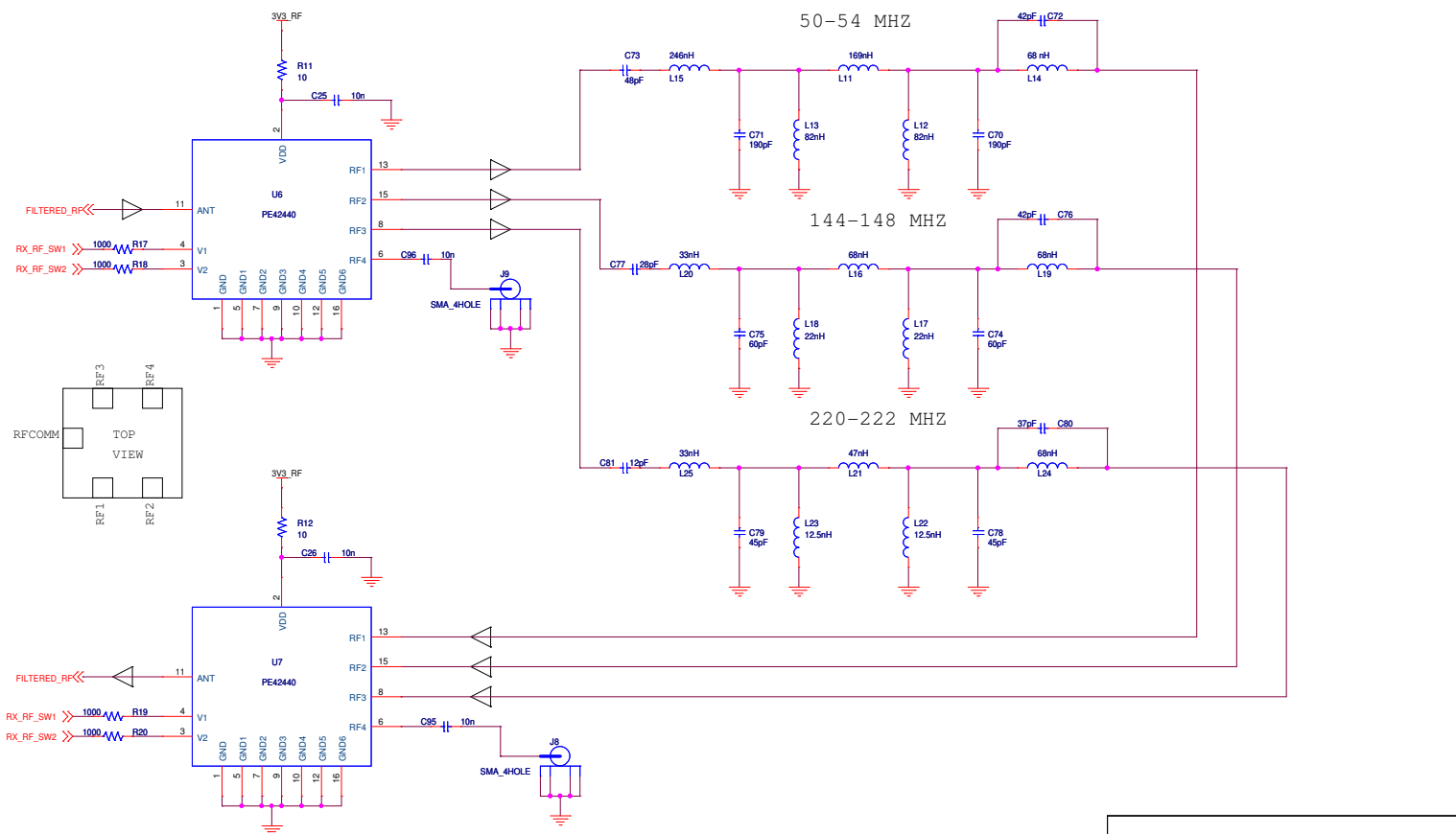
File	<Title>
Size	Document Number
B	<Doc>
Date:	Saturday, January 04, 2014
Sheet	1 of 1

# VHF TX RF FILTERING



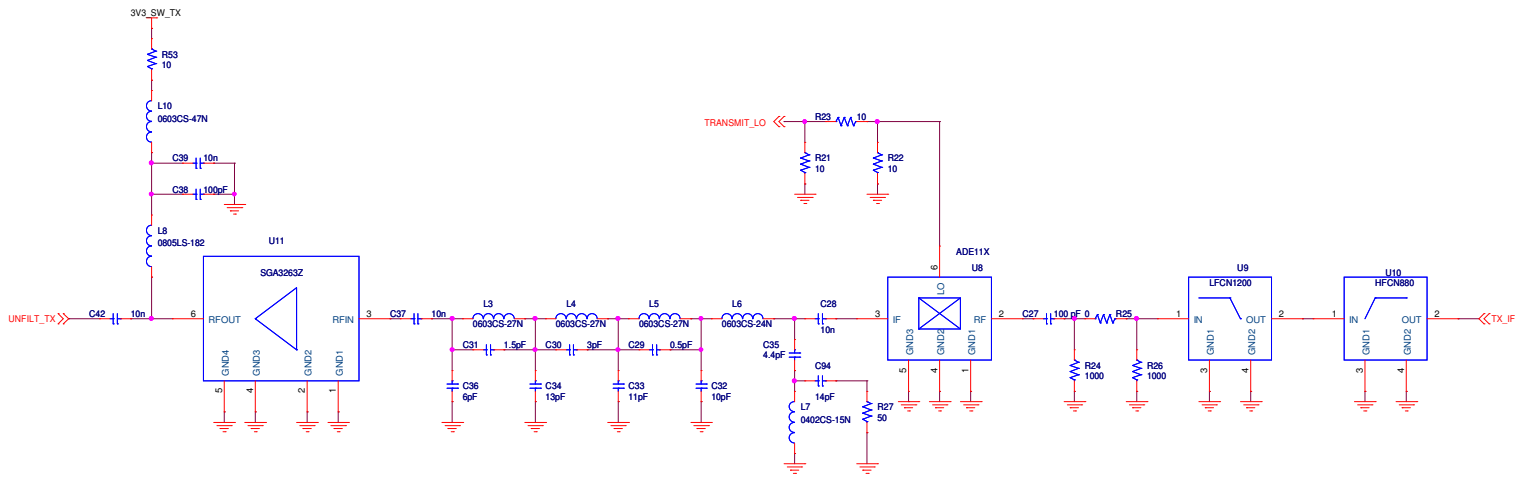
File	<Title>
Size	Document Number
B	<Doc>
Date:	Saturday, January 04, 2014
Sheet	1 of 1

# VHF RX RF FILTERING



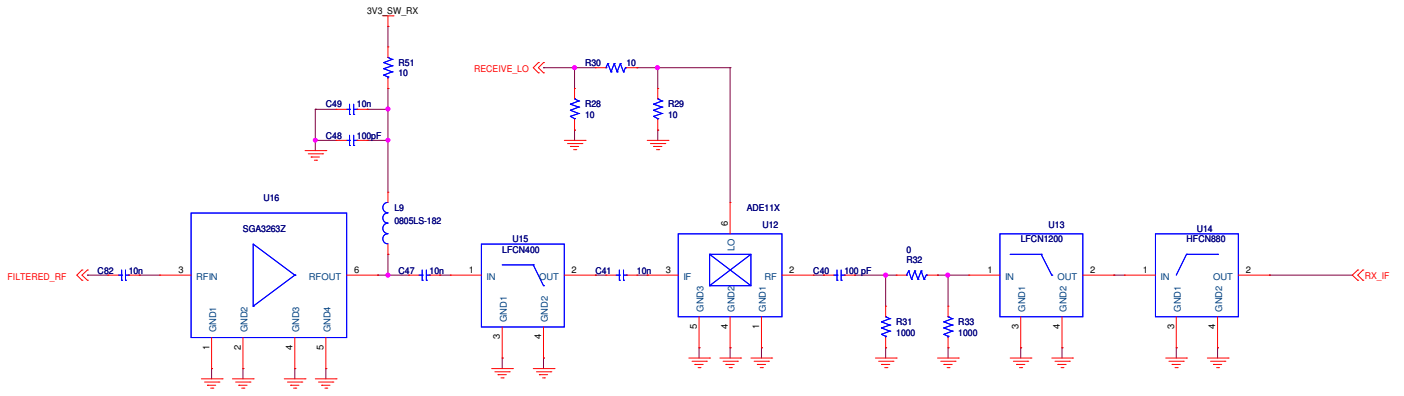
File	<Title>
Size	Document Number
B	<Doc>
Date:	Saturday, January 04, 2014
Sheet	1 of 1

# 30-300 MHZ TRANSMIT CONVERTER



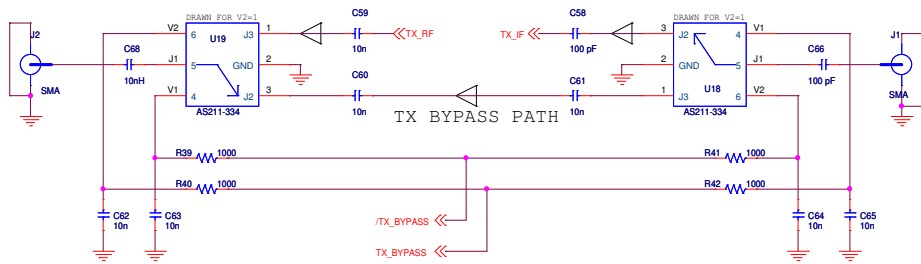
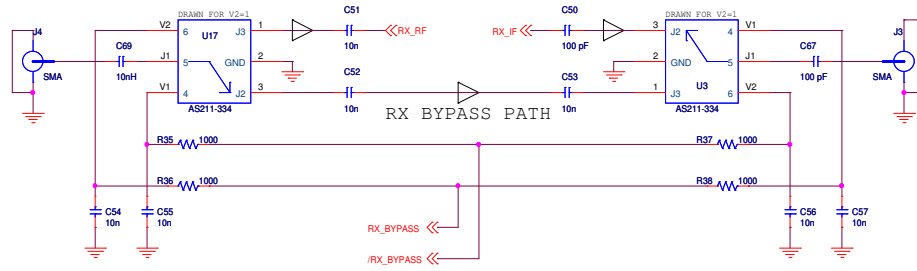
File	<Title>	
Size	Document Number	Rev
B	<Doc>	<Rev>
Date:	Saturday, January 04, 2014	Sheet 1 of 1

# 30-300 MHz RECEIVE CONVERTER



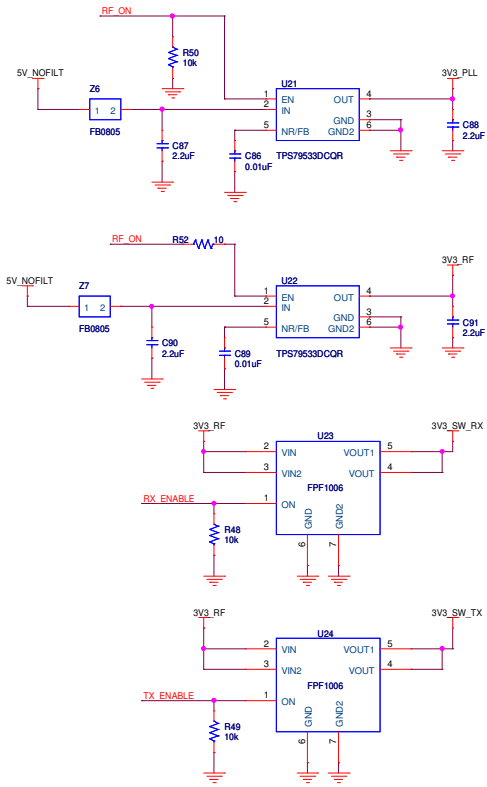
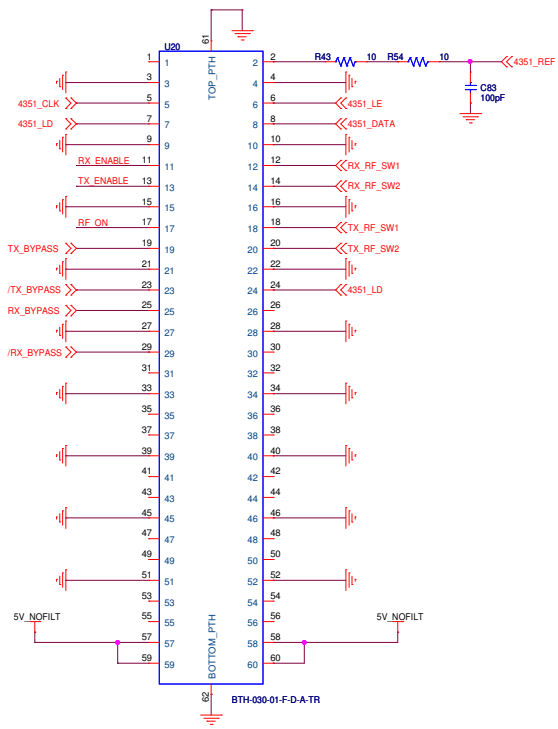
File	<Title>	
Size	Document Number	Rev
B	<Doc>	<RevCode>
Date:	Saturday, January 04, 2014	Sheet 1 of 1

# BYPASS SWITCHING



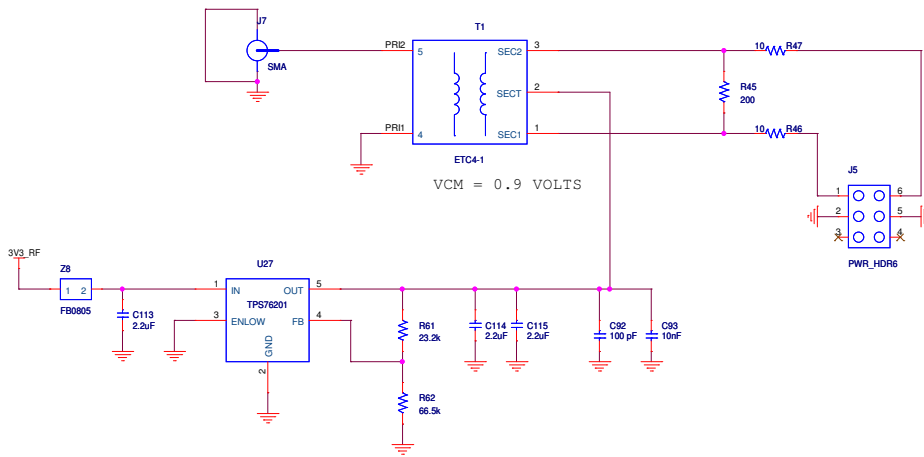
File	<Title>		
Size	Document Number	Rev	<RevCode>
B	<Doc>		
Date:	Saturday, January 04, 2014	Sheet	1 of 1

# MAIN IO CONNECTOR + LDO'S



File	<Title>	Rev	<RevCode>
Size	Document Number		
B	<Doc>		
Date:	Saturday, January 04, 2014	Sheet	1 of 1

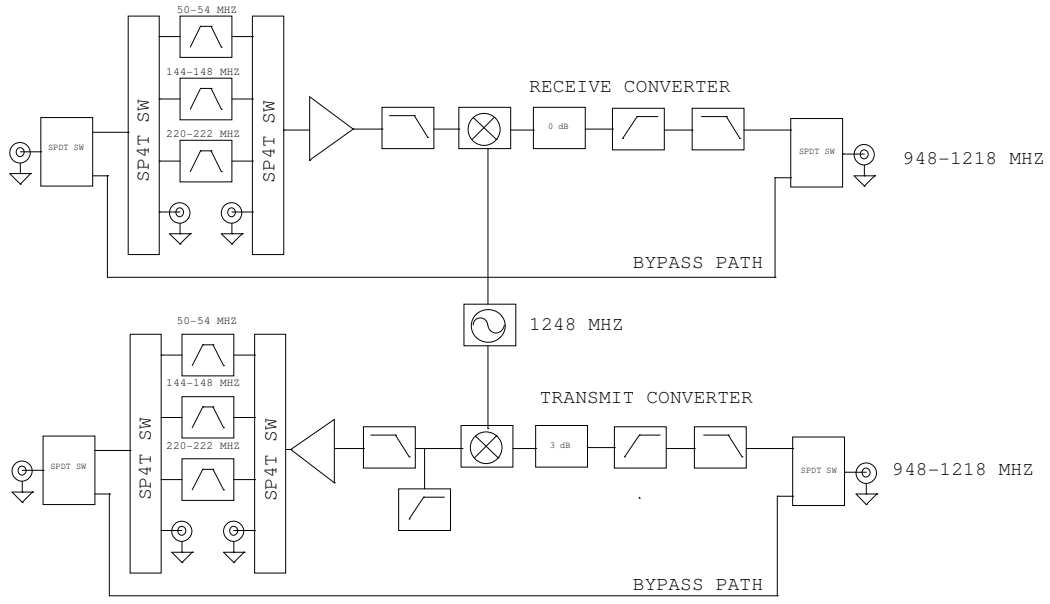
# DIRECT CONNECTION TO ADC



File	<Title>		
Size	Document Number	Rev	<RevCode>
B	<Doc>		
Date:	Saturday, January 04, 2014	Sheet	1 of 1



# BLOCK DIAGRAM



File	<Title>		
Size	Document Number		Rev
B	<Doc>		<RevCode>
Date:	Saturday, January 04, 2014	Sheet	1 of 1